

DATASHEET FIBER OPTICS



## Features

- Simple Network Management Protocol (SNMP)
- 10/100 Ethernet Monitoring Interface
- Optical Bandwidth Analysis
- System Diagnostics
- Alert Log
- Manageable by any SNMP GUI
- Compatible with any Optiva Mutl-slot Enclosure
- 3-Year Warranty

## General

Specifications	Values
Dimensions (Insert Card)	6.69"L x 0.81"W x 5.06"H
Weight	11 oz.
Operating Temperature	-20°C to +55°C
Storage Temperature	-40°C to +85°C
Humidity	0 to 95% (Non-Condensing)
Operating Voltage	12 VDC
Power Consumption	~1 Watt
Warranty	3 year

## Compliance



The OptivaView™ SNMP Management Suite makes remote monitoring of Optiva products simple.

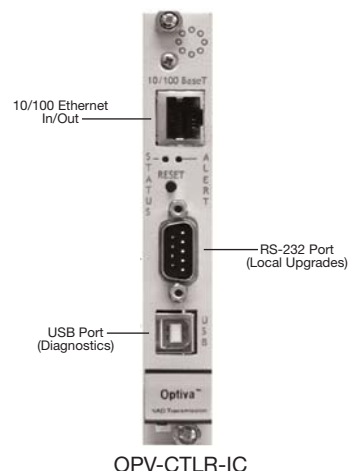
Through the utilization of SNMP (Simple Network Management Protocol), the Optiva Controller Card operates under a uniform software platform which allows for efficient integration with other devices. The OptivaView™ SNMP Controller Card (Model OPV-CTRL-IC) fits within any Optiva™ enclosure and requires only one slot. The controller card collects data coming from any Optiva™ chassis and the OptivaView™ Graphical User Interface Management Software analyzes and displays the data to the user.

The OptivaView™ SNMP Controller Card can serve as an interface providing critical data to any SNMP based Management Software. An example of such software is the HP Openview Source. The client retains the ultimate discretion of whether to use the OptivaView™ software or an alternative, ensuring both independence and flexibility in system management.

A Management Information Base (MIB) is integrated within the OptivaView™ SNMP Controller Card. The MIB collects, stores and provides all information required by the Network Management Software to understand the data presented by the OptivaView™ SNMP Controller Card. This means that regardless of which viewing medium you select, the designated software will receive all collected data.

The controller card occupies a single slot in any Optiva(TM) chassis and can monitor all cards operating in the chassis via the daisy-chained backplane. The 16 slot, 4 slot & 6 slot Optiva enclosures will detect the presence of the controller card and notify the user via an "NMS" LED located on the front of the chassis. The OPV-CTRL-IC can connect to a LAN/WAN network via the Ethernet port.

## Connection Diagram



OPV-CTRL-IC

**DATASHEET** **FIBER OPTICS**

The OptivaView™ Software Module allows visual monitoring of fiber optic link status, bandwidth analysis, operation/fault detection and logging. These features ensure that the user is constantly provided with critical data for essential optical system management and maintenance. Professionally designed software with a user-friendly interface combines to form a simple yet comprehensive view of your optical network.

## Sample Screenshot

The screenshot displays the OptivaView SNMP Network Management Suite interface. The main window is titled "System View" and shows a "Realtime Chassis View" of a network device. A red alert banner at the top reads "Alert - 192.168.10.250 - Optiva Device (192.168.10.250)". The chassis view includes a "NO POWER SUPPLY" warning and a "Reset Baseline" button. Below the chassis view is the "Details" section for "SNMP Device - 192.168.10.250", showing information for "Card - Slot 14" (Card Model: OTP-1GETR-A2/A2-LC, Card Type: DP, Card Temp: 25C, Optics Type: A2/A2, Card Production Date: 2010-12-17, Card Serial Num: 1154682, Card Firmware Rev: FW/1.0.FP1.0, Card Hardware Rev: A, Card Slot ID: 14) and "Connector 1" (Connector Type: DLC, Status: OK). On the left, a "Chassis Explorer" tree shows the device hierarchy. At the bottom, the "Current Session Alerts" table lists several alerts:

Date/Time	Location	Device	Connector	Slot	Status
01/14/11 09:57:47	192.168.10.250	192.168.10.250	5	15	Connector 5
01/14/11 09:57:47	192.168.10.250	192.168.10.250	4	15	Connector 4
01/14/11 09:57:47	192.168.10.250	192.168.10.250	2	15	Connector 2
01/14/11 09:57:47	192.168.10.250	192.168.10.250	2	14	Connector 2
01/14/11 09:57:47	192.168.10.250	192.168.10.250	5	14	Connector 5
01/14/11 09:57:47	192.168.10.250	192.168.10.250	3	14	Connector 3
01/14/11 09:57:46	192.168.10.250	192.168.10.250		12	Temp Alert
01/14/11 09:57:46	192.168.10.250	192.168.10.250		11	Temp Alert
01/14/11 09:57:46	192.168.10.250	192.168.10.250	5	10	Connector 5

An "Alert Log" section is also visible at the bottom right of the interface.

## Ordering Information

Model	Description
OPV-CTLR-IC	Optiva Platform, SNMP Network Management Insert Card
OptivaView	Optiva Platform, Client Software (Windows XP, Windows 2000, Windows Vista, Windows 7)