



Analog Audio Transmission

The Optiva OTP-4BATR provides for the transmission of 4 channels of duplex analog audio, over long or short distances, using a single fiber.

In addition, the OTP-4BATR is part of our innovative Optiva video, audio and data media transport system. Optiva was designed to maintain lossless fiber extension between input and output signals. New signals may be added without the need for additional fiber through our proprietary daisy-chain technology. The Optiva line of products also includes insert cards for up to 16 channels of multiplexing / demultiplexing, 16x16 matrix switching, optical add / drop, as well as remote system monitoring.

Features

- Duplex Analog Audio over Fiber (Terminal Block Connection)
- Singlemode Options (up to 70 km)
- Multimode Options (up to 2 km)
- TDM - Single Wavelength
- No EMI, RFI, or Ground Loops
- 3-Year Warranty

System Design

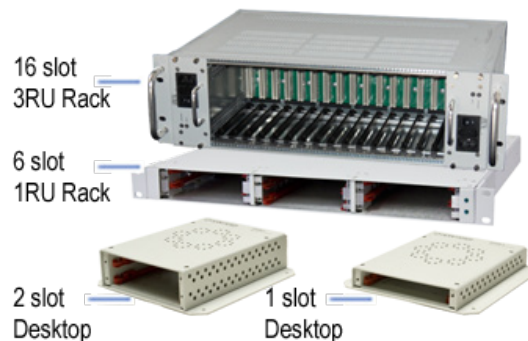
Optiva insert cards support both 19" rackmount and compact tabletop or wall-mountable enclosures. The 3RU 19" rackmount enclosures (Models: OT-CC-16 & OT-CC-16F) can support up to 16 insert cards as well as dual-redundant, hot-swappable power supplies utilizing two 100 watt or two 200 watt power supplies. Also available in the rackmount form factor is our 1RU enclosure (Model: OT-CC-6-1U) which can accommodate six insert cards and utilizes two 60 watt power supplies. For desktop or wall mounting applications there are one-slot (Model: OT-DTCR-1) and two-slot (Model: OT-DTCR-2) enclosures. Both use an external wall mount power supply.

optiva PLATFORM

Applications

- High-Quality Video Security Systems
- Video Surveillance
- Train/Rail Station Camera Systems
- CCTV Applications

Enclosure Options



U.S. Patent #'s 7720385 & 8064773

DATASHEET **FIBER OPTICS**

Models

Transmitter	Receiver
OTP-4BATR-XX-YY	OTP-4BART-XX-YY
OTP-4BATR-NOC	OTP-4BART-NOC

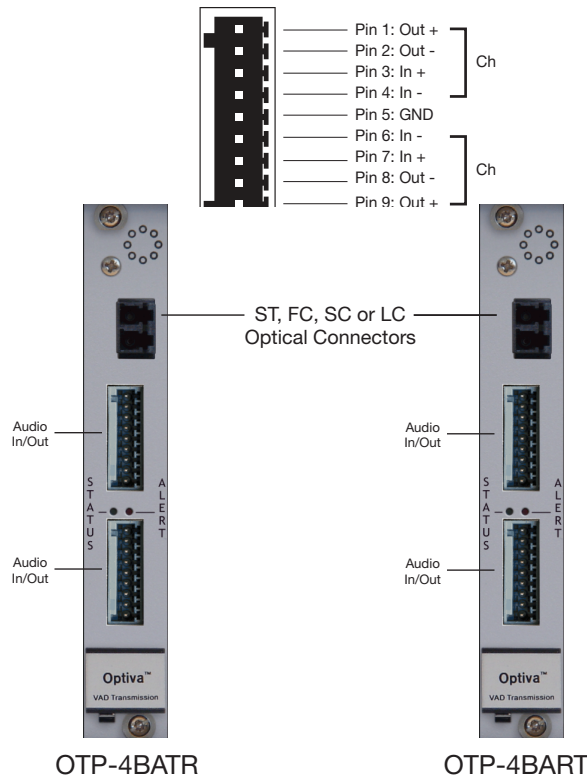
- When ordering, replace "XX" with one of the optical codes specified below
- When ordering, please substitute the "YY" in the model for one of the following optical connectors: ST, FC, SC, or LC
- Standard connector type is UPC
- NOC: non-optical card

Optical Specifications

Code	Fiber Type	Wavelength (nm)	Optical Budget (db)	Distance (km)
A0	Multimode	850	5	0.5
A1	Multimode	1310	7	2
A2	Singlemode	1310	5	10
A2D	Singlemode	1310	12	20
A3	Singlemode	1550	17	40
A3D	Singlemode	1550	25	70
L4x1	Singlemode	1270-1610 (CWDM)	25	20-70

- Chromatic dispersion as well as other losses should also be taken into account
- Stated distances are the maximum range, shorter distance may require attenuation

Connection Diagram



Audio

Specifications	Values
Level	18 dBm In/Out
Bandwidth	20 Hz to 20 KHz
Signal to Noise Ratio	> 80 dB
Total Harmonic Distortion	< 0.1%
Signal Coding	24-bit
Connector	Terminal Block

General

Specifications	Values
Dimensions (Insert Card)	6.69"L x 0.81"W x 5.06"H
Weight	11 oz.
Operating Temperature	-20°C to +55°C
Storage Temperature	-40°C to +85°C
Humidity	0 to 95% (Non-Condensing)
Operating Voltage	12 VDC
Power Consumption	6 Watts
Bit Error Rate	10 ⁻¹⁴
System Latency	< 1 ms
Warranty	3 year

Monitoring & Control

Specifications	Values
Local	Front panel LED status and alert indicators
Remote	OptivaView SNMP Management Suite*

- Requires OptivaView SNMP Controller Card (Model: OPV-CTRL)

Compliance

